

MATRIX ENGINEERING

www.creasingmatrix.com

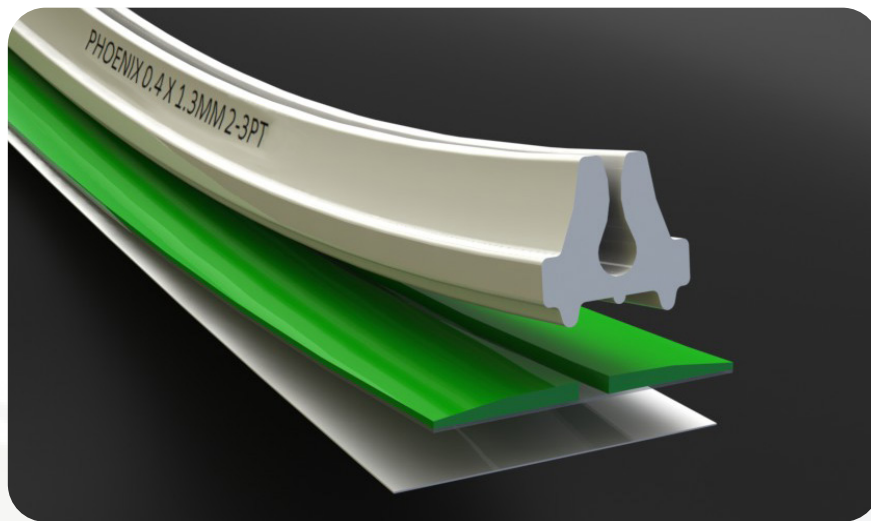
PRODUCT CATALOGUE

#beyondtheconventional



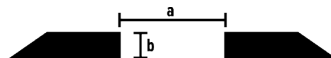
Matrix Engineering Ltd
Unit 7a, Parkway, Balthane Ind Estate
Ballasalla, Isle of Man, British Isles, IM9 2AQ
www.creasingmatrix.com - sales@creasingmatrix.com





- Specially formulated High Quality Adhesive for maximum impressions.
- High Impact Plastic providing great stability and durability.
- Specially designed locator providing accurate alignment with creasing rules.
- Perfectly smooth shoulders for use on high speed machines.
- Ultra thin polyester base.
- Both the base and locator have sizes printed on for easy identification.
- All products are supplied with fingerlift tape as standard.
- Full range of standard, mini, off centre and double sizes are available.
- No additional cost for off centre products, same price, same amount of metres as a standard box.

Phoenix Size Chart 7mm Mini Centre



Pink Height 0.30mm	Channel Width 0.5, 0.6, 0.8, 0.9, 1.0, 1.1, 1.2, 1.3, 1.4, 1.5, 1.6, 1.7, 1.8 and 1.9mm
Blue Height 0.40mm	Channel Width 0.5, 0.6, 0.8, 0.9, 1.0, 1.1, 1.2, 1.3, 1.4, 1.5, 1.6, 1.7, 1.8 and 1.9mm
White Height 0.45mm	Channel Width 0.8, 0.9, 1.0, 1.1, 1.2, 1.3, 1.4, 1.5, 1.6, 1.7, 1.8 and 1.9mm
Red Height 0.50mm	Channel Width 0.8, 0.9, 1.0, 1.1, 1.2, 1.3, 1.4, 1.5, 1.6, 1.7, 1.9, 2.1 and 2.3mm
Silver Height 0.55mm	Channel Width 0.8, 0.9, 1.0, 1.1, 1.2, 1.3, 1.4, 1.5, 1.6, 1.7, 1.9, 2.1 and 2.3mm
Yellow Height 0.60mm	Channel Width 1.2, 1.3, 1.4, 1.5, 1.6, 1.7, 1.9 and 2.1mm
Orange Height 0.70mm	Channel Width 1.5, 1.6, 1.7, 1.9 and 2.1mm

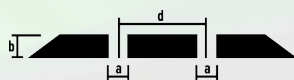
Phoenix 7mm Off-Centre



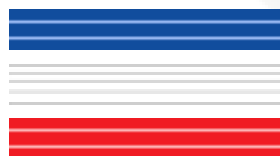
Pink Height 0.30mm	Channel Width 0.5, 0.6, 0.8, 0.9, 1.0, 1.1, 1.2, 1.3, 1.4, 1.5, 1.6, 1.7, 1.8 and 1.9mm
Blue Height 0.40mm	Channel Width 0.5, 0.6, 0.8, 0.9, 1.0, 1.1, 1.2, 1.3, 1.4, 1.5, 1.6, 1.7, 1.8 and 1.9mm
White Height 0.45mm	Channel Width 0.8, 0.9, 1.0, 1.1, 1.2, 1.3, 1.4, 1.5, 1.6, 1.7, 1.8 and 1.9mm
Red Height 0.50mm	Channel Width 0.8, 0.9, 1.0, 1.1, 1.2, 1.3, 1.4, 1.5, 1.6, 1.7, 1.9, 2.1 and 2.3mm
Silver Height 0.55mm	Channel Width 0.8, 0.9, 1.0, 1.1, 1.2, 1.3, 1.4, 1.5, 1.6, 1.7, 1.9, 2.1 and 2.3mm
Yellow Height 0.60mm	Channel Width 1.2, 1.3, 1.4, 1.5, 1.6, 1.7, 1.9, 2.1, 2.3 and 2.5mm
Mauve Height 0.65mm	Channel Width 1.5, 1.6, 1.7, 1.9, 2.1, 2.3 and 2.5mm
Orange Height 0.60mm	Channel Width 1.5, 1.6, 1.7, 1.9, 2.1, 2.3 and 2.5mm

Contents of box 32 x 750mm strips = 24 metres
For both Mini Centre and Off-Centre Products

Phoenix 12mm Double Crease



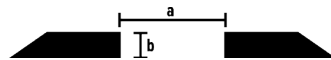
(Distance Between Rules available in 3.0, 4.0 and 5.0mm)



Blue Height 0.40mm	Channel Width 1.0, 1.3, and 1.5mm
White Height 0.45mm	Channel Width 1.0, 1.3, and 1.5mm
Red Height 0.50mm	Channel Width 1.0, 1.3, and 1.5mm

Contents of box 24 x 750mm strips = 18 metres

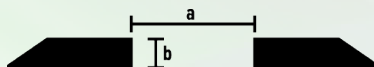
Phoenix Size Chart 10mm Standard Centre Sizes



	Pink Height 0.30mm	Channel Width 0.5, 0.6, 0.8, 0.9, 1.0, 1.1, 1.3, 1.4, 1.5, 1.6, 1.7 and 1.8mm
	Blue Height 0.40mm	Channel Width 0.5, 0.6, 0.8, 0.9, 1.0, 1.1, 1.3, 1.4, 1.5, 1.6, 1.7 and 1.8mm
	White Height 0.45mm	Channel Width 0.8, 0.9, 1.0, 1.1, 1.2, 1.3, 1.5, 1.6, 1.7, 1.8 and 1.9mm
	Red Height 0.50mm	Channel Width 0.8, 0.9, 1.0, 1.1, 1.2, 1.3, 1.5, 1.6, 1.7, 1.9, 2.1 and 2.3mm
	Silver Height 0.55mm	Channel Width 0.8, 0.9, 1.0, 1.1, 1.2, 1.3, 1.5, 1.6, 1.7, 1.9, 2.1 and 2.3mm
	Yellow Height 0.60mm	Channel Width 1.2, 1.3, 1.4, 1.5, 1.6, 1.7, 2.1, 2.3, 2.5, 2.7, 2.8 and 3.0mm
	Mauve Height 0.65mm	Channel Width 1.5, 1.6, 1.7, 1.9, 2.1, 2.3, 2.7, 2.8, 3.0 and 3.2mm
	Orange Height 0.70mm	Channel Width 1.5, 1.6, 1.7, 1.9, 2.1, 2.3, 2.7, 2.8, 3.0 and 3.2mm
	Black Height 0.80mm	Channel Width 1.5, 1.6, 1.7, 1.9, 2.1, 2.3, 2.7, 2.8, 3.0 and 3.2mm
	Sky Height 1.00mm	Channel Width 2.3, 2.5, 2.7, 2.8, 3.0 and 3.2mm

Contents of box 32 x 750mm strips = 24 metres

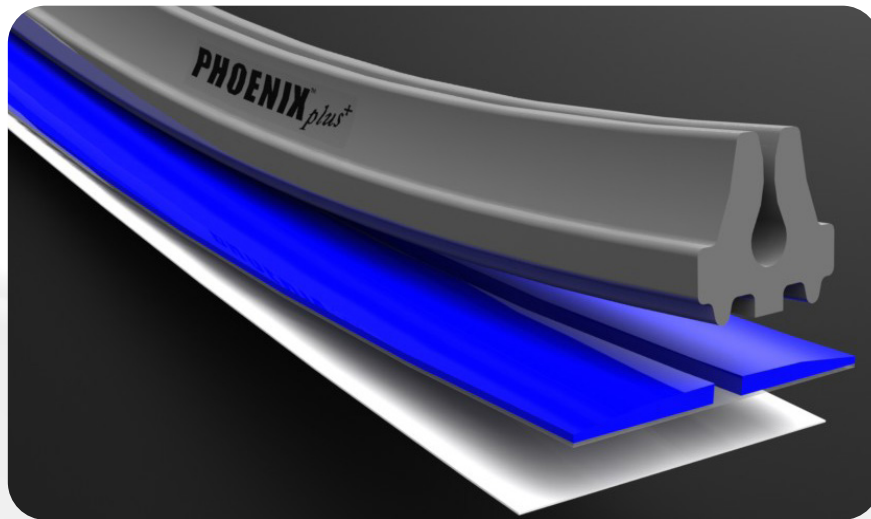
Phoenix 12mm Centre



	Yellow Height 0.60mm	Channel Width 3.5mm*, 4.0# and 4.5mm#
	Mauve Height 0.65mm	Channel Width 3.5mm*, 4.0# and 4.5mm#
	Orange Height 0.70mm	Channel Width 3.5mm*, 4.0#, 4.5mm# and 5.0mm#
	Black Height 0.80mm	Channel Width 3.5mm*, 4.0#, 4.5mm# and 5.0mm#
	Sky Height 1.00mm	Channel Width 3.5mm*, 4.0#, 4.5mm# and 5.0mm#
	Silver Height 1.20mm	Channel Width 3.5mm*, 4.0#, 4.5mm# and 5.0mm#
	Lime Height 1.50mm	Channel Width 3.5mm*, 4.0#, 4.5mm# and 5.0mm#

***Contents of box 27 x 750mm strips = 20.25 metres**

#Contents of box 20 x 750mm strips = 15.00 metres

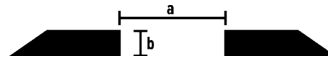


This product has been designed in line with the continued demands for longer production runs, in turn reducing the down time of your production machinery and reduced make ready time, all saving you, the customer, time and money.

Our quest to produce the most durable plastic based matrix possible incorporates our research into new raw materials and adhesives producing the very best Matrix we can offer. This is a non-compromising solution to your creasing needs.

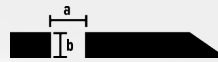
- New High Quality Adhesive. No need for cleaning the platen.
- Specially designed locators. Self-locating in the channel.
- High Impact Plastic. The very latest in polymer technology.
- Extremely smooth shoulder profile for use on high speed machines.
- Colour coded for height and printed on both the base and locator for easy identification.

Phoenix Size Chart 7mm Mini Centre



Pink Height 0.30mm	Channel Width 0.5, 0.6, 0.8, 0.9, 1.0, 1.1, 1.2, 1.3, 1.4, 1.5, 1.6, 1.7, 1.8 and 1.9mm
Blue Height 0.40mm	Channel Width 0.5, 0.6, 0.8, 0.9, 1.0, 1.1, 1.2, 1.3, 1.4, 1.5, 1.6, 1.7, 1.8 and 1.9mm
White Height 0.45mm	Channel Width 0.8, 0.9, 1.0, 1.1, 1.2, 1.3, 1.4, 1.5, 1.6, 1.7, 1.8 and 1.9mm
Red Height 0.50mm	Channel Width 0.8, 0.9, 1.0, 1.1, 1.2, 1.3, 1.4, 1.5, 1.6, 1.7, 1.9, 2.1 and 2.3mm
Silver Height 0.55mm	Channel Width 0.8, 0.9, 1.0, 1.1, 1.2, 1.3, 1.4, 1.5, 1.6, 1.7, 1.9, 2.1 and 2.3mm
Yellow Height 0.60mm	Channel Width 1.2, 1.3, 1.4, 1.5, 1.6, 1.7, 1.9 and 2.1mm
Orange Height 0.70mm	Channel Width 1.5, 1.6, 1.7, 1.9 and 2.1mm

Phoenix 7mm Off-Centre



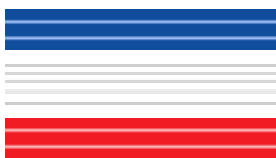
Pink Height 0.30mm	Channel Width 0.5, 0.6, 0.8, 0.9, 1.0, 1.1, 1.2, 1.3, 1.4, 1.5, 1.6, 1.7, 1.8 and 1.9mm
Blue Height 0.40mm	Channel Width 0.5, 0.6, 0.8, 0.9, 1.0, 1.1, 1.2, 1.3, 1.4, 1.5, 1.6, 1.7, 1.8 and 1.9mm
White Height 0.45mm	Channel Width 0.8, 0.9, 1.0, 1.1, 1.2, 1.3, 1.4, 1.5, 1.6, 1.7, 1.8 and 1.9mm
Red Height 0.50mm	Channel Width 0.8, 0.9, 1.0, 1.1, 1.2, 1.3, 1.4, 1.5, 1.6, 1.7, 1.9, 2.1 and 2.3mm
Silver Height 0.55mm	Channel Width 0.8, 0.9, 1.0, 1.1, 1.2, 1.3, 1.4, 1.5, 1.6, 1.7, 1.9, 2.1 and 2.3mm
Yellow Height 0.60mm	Channel Width 1.2, 1.3, 1.4, 1.5, 1.6, 1.7, 1.9, 2.1, 2.3 and 2.5mm
Mauve Height 0.65mm	Channel Width 1.5, 1.6, 1.7, 1.9, 2.1, 2.3 and 2.5mm
Orange Height 0.60mm	Channel Width 1.5, 1.6, 1.7, 1.9, 2.1, 2.3 and 2.5mm

Contents of box 28 x 750mm strips = 21 metres
For both Mini Centre and Off-Centre Products

Phoenix 12mm Double Crease



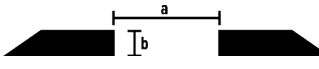
(Distance Between Rules available in 3.0, 4.0 and 5.0mm)



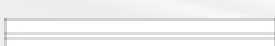

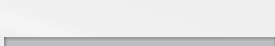
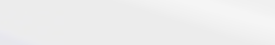
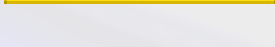





Blue Height 0.40mm	Channel Width 1.0, 1.3, and 1.5mm
White Height 0.45mm	Channel Width 1.0, 1.3, and 1.5mm
Red Height 0.50mm	Channel Width 1.0, 1.3, and 1.5mm

Contents of box 24 x 750mm strips = 18 metres

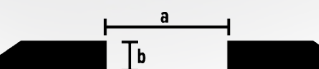
Phoenix Size Chart 10mm Standard Centre Sizes










	Pink Height 0.30mm	Channel Width 0.5, 0.6, 0.8, 0.9, 1.0, 1.1, 1.2, 1.3, 1.4, 1.5, 1.6, 1.7, 1.8 and 1.9mm
	Blue Height 0.40mm	Channel Width 0.5, 0.6, 0.8, 0.9, 1.0, 1.1, 1.2, 1.3, 1.4, 1.5, 1.6, 1.7, 1.8 and 1.9mm
	White Height 0.45mm	Channel Width 0.8, 0.9, 1.0, 1.1, 1.2, 1.3, 1.4, 1.5, 1.6, 1.7, 1.8 and 1.9mm
	Red Height 0.50mm	Channel Width 0.8, 0.9, 1.0, 1.1, 1.2, 1.3, 1.4, 1.5, 1.6, 1.7, 1.9, 2.1 and 2.3mm
	Silver Height 0.55mm	Channel Width 0.8, 0.9, 1.0, 1.1, 1.2, 1.3, 1.4, 1.5, 1.6, 1.7, 1.9, 2.1 and 2.3mm
	Yellow Height 0.60mm	Channel Width 1.2, 1.3, 1.4, 1.5, 1.6, 1.7, 1.9, 2.1, 2.3, 2.5, 2.7, 2.8, 3.0 and 3.2mm
	Mauve Height 0.65mm	Channel Width 1.5, 1.6, 1.7, 1.9, 2.1, 2.3, 2.5, 2.7, 2.8, 3.0 and 3.2mm
	Orange Height 0.70mm	Channel Width 1.5, 1.6, 1.7, 1.9, 2.1, 2.3, 2.5, 2.7, 2.8, 3.0 and 3.2mm
	Green Height 0.80mm	Channel Width 1.5, 1.6, 1.7, 1.9, 2.1, 2.3, 2.5, 2.7, 2.8, 3.0 and 3.2mm
	Sky Height 1.00mm	Channel Width 2.3, 2.5, 2.7, 2.8, 3.0 and 3.2mm

Contents of box 32 x 750mm strips = 24 metres

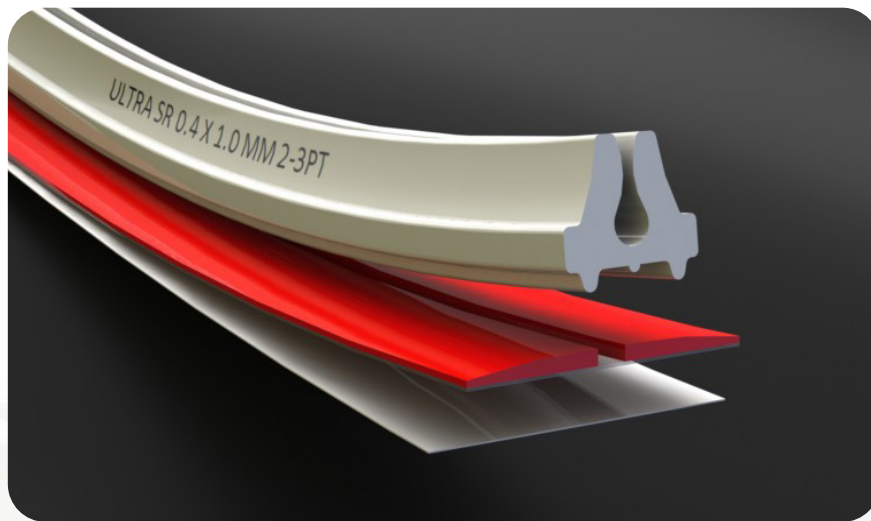
Phoenix 12mm Centre



	Yellow Height 0.60mm	Channel Width 3.5mm*, 4.0# and 4.5mm#
	Mauve Height 0.65mm	Channel Width 3.5mm*, 4.0# and 4.5mm#
	Orange Height 0.70mm	Channel Width 3.5mm*, 4.0#, 4.5mm# and 5.0mm#
	Green Height 0.80mm	Channel Width 3.5mm*, 4.0#, 4.5mm# and 5.0mm#
	Sky Height 1.00mm	Channel Width 3.5mm*, 4.0#, 4.5mm# and 5.0mm#
	Silver Height 1.20mm	Channel Width 3.5mm*, 4.0#, 4.5mm# and 5.0mm#
	Lime Height 1.50mm	Channel Width 3.5mm*, 4.0#, 4.5mm# and 5.0mm#

***Contents of box 27 x 750mm strips = 20.25 metres**

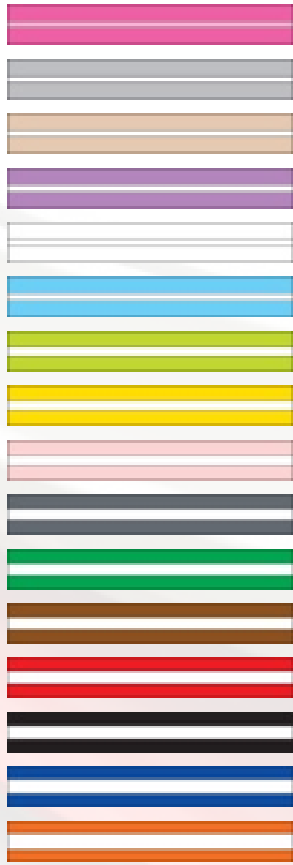
#Contents of box 20 x 750mm strips = 15 metres



- A polyester base product the same thickness as steel based matrix and fully compatible with any steel based product on the market.
- Specially formulated High Quality Adhesive for maximum impressions.
- Special High Impact Plastic providing great stability and durability.
- Specially designed locator providing accurate alignment with creasing rules.
- No perforation marks.
- No rusting.
- Both the base and locator have sizes printed on for easy identification.
- All products are supplied with fingerlift tape as standard.
- Full range of standard, off centre and double sizes are available.

An allowance of 0.20 must be considered the same as all other steel based products.

Ultra SR Size Chart 7mm Centre



Mauve Height 0.38mm	Channel Width 0.5mm 2-3pt
Silver Height 0.38mm	Channel Width 0.8mm 2-3pt
Buff Height 0.38mm	Channel Width 1.0mm 2-3pt
Violet Height 0.38mm	Channel Width 1.2mm 2-3pt
White Height 0.45mm	Channel Width 1.3mm 2-3pt
Sky Height 0.45mm	Channel Width 1.4mm 2-3pt
Lime Height 0.45mm	Channel Width 1.5mm 2-3pt
Yellow Height 0.50mm	Channel Width 1.6mm 2-3pt
Rose Height 0.50mm	Channel Width 1.7mm 2-3pt
Slate Height 0.55mm	Channel Width 1.9mm 2-3pt
Green Height 0.60mm	Channel Width 2.0mm 2-3pt
Brown Height 0.60mm	Channel Width 2.1mm 2-3pt
Red Height 0.70mm	Channel Width 2.3mm 2-3pt
Black Height 0.70mm	Channel Width 2.4mm 2-3pt
Blue Height 0.80mm	Channel Width 2.6mm 2-3pt
Orange Height 0.90mm	Channel Width 3.0mm 3-4pt

Ultra SR 7mm Off-Centre

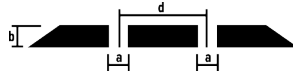


Silver Height 0.38mm	Channel Width 0.8mm 2-3pt
Buff Height 0.38mm	Channel Width 1.0mm 2-3pt
Violet Height 0.38mm	Channel Width 1.2mm 2-3pt
White Height 0.45mm	Channel Width 1.3mm 2-3pt
Sky Height 0.45mm	Channel Width 1.4mm 2-3pt
Lime Height 0.45mm	Channel Width 1.5mm 2-3pt
Yellow Height 0.50mm	Channel Width 1.6mm 2-3pt
Rose Height 0.50mm	Channel Width 1.7mm 2-3pt

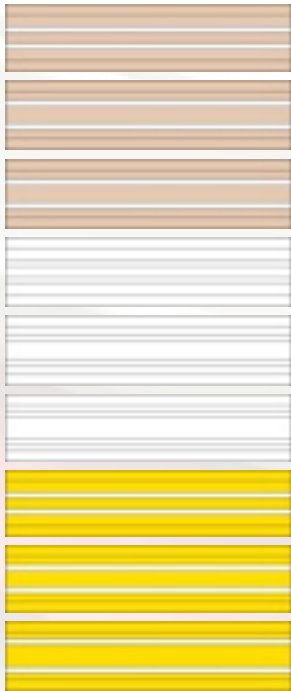
Contents of box 32 x 750mm strips = 24 metres
For both Centre and Off-Centre Products

Ultra SR Size Chart 12mm Double Crease

12mm Double Crease



*(Distance Between Rules available in 3.00, 4.00 and 5.00mm)

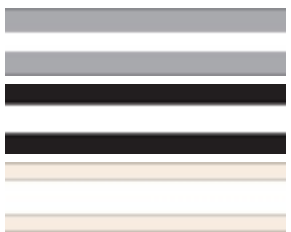
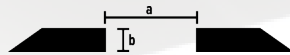


Buff Height 0.38mm	Channel 1.0mm D3
Buff Height 0.38mm	Channel 1.0mm D4
Buff Height 0.38mm	Channel 1.0mm D5
White Height 0.45mm	Channel 1.3mm D3
White Height 0.45mm	Channel 1.3mm D4
White Height 0.45mm	Channel 1.3mm D5
Yellow Height 0.50mm	Channel 1.6mm D3
Yellow Height 0.50mm	Channel 1.6mm D4
Yellow Height 0.50mm	Channel 1.6mm D5

Contents of box 24 x 750mm strips = 18 metres

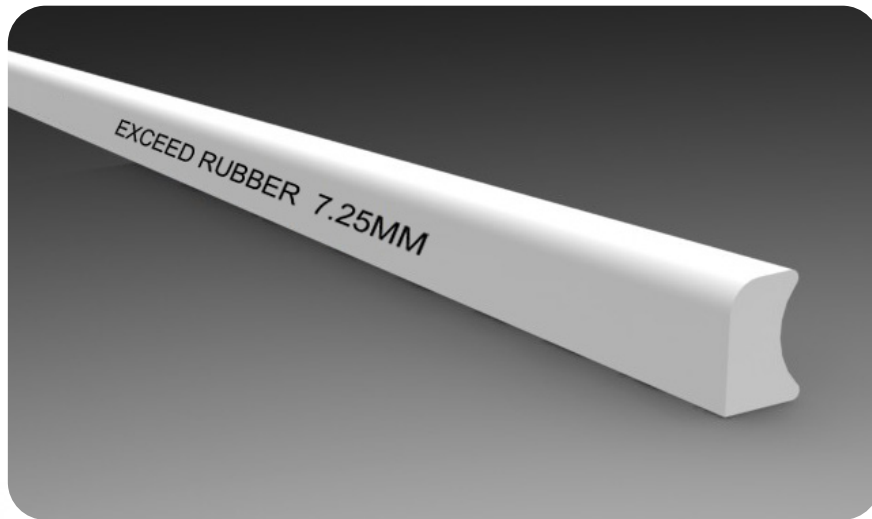
Ultra SR 12mm Centre

12mm Centre



Grey Height 1.30mm	Channel 3.80mm 3-4pt & 4-6pt
Black Height 1.50mm	Channel 5.00mm 3-4pt & 4-6pt
Cream Height 1.70mm	Channel 6.00mm 3-4pt & 4-6pt

Contents of box 20 x 750mm strips = 15 metres

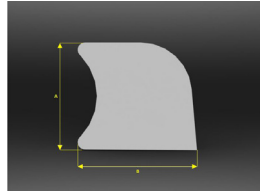


Our Ejection Rubber will maintain its profile for over 1.6 million impressions and will not degrade over time like some rubber products, making this a very cost effective product which will also shorten make ready time and reduced angel hair.

Your benefits:

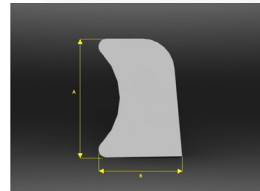
- Higher running life, no reduction in performance after 1.6 million impressions.
- Excellent UV resistance.
- High Resistance to heat.
- Reduced make ready time.

Exceed 7.50mm



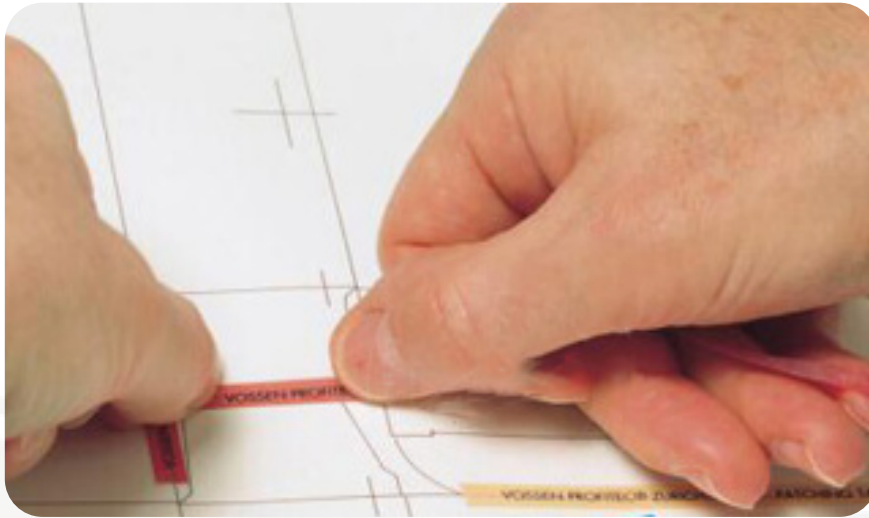
Product	Width (B)	Height (A)	Colour	Metres per Box
Exceed 7.00mm x 7.50mm	7.50mm	7.00mm	White	24 metres (32 x 750mm)
Exceed 7.00mm x 7.50mm	7.50mm	7.00mm	White	60 metre (80 x 750mm)
Exceed 7.25mm x 7.50mm	7.50mm	7.25mm	White	24 metres (32 x 750mm)
Exceed 7.25mm x 7.50mm	7.50mm	7.25mm	White	60 metres (80 x 750mm)

Exceed 5.00mm



Product	Width (B)	Height (A)	Colour	Metres per Box
Exceed 7.00mm x 5.00mm	5.00mm	7.00mm	White	24 metres (32 x 750mm)
Exceed 7.00mm x 5.00mm	5.00mm	7.00mm	White	60 metre (80 x 750mm)
Exceed 7.25mm x 5.00mm	5.00mm	7.25mm	White	24 metres (32 x 750mm)
Exceed 7.25mm x 5.00mm	5.00mm	7.25mm	White	60 metres (80 x 750mm)

Exceed rubber comes from a combined experience of over 40 years' of design and production of profile extrusion.



PROFITAPE - the self-adhesive precise patching make-ready tape with colour coding for the three thicknesses available, for precise cutting & foil embossing on your cutting and creasing press.

- Super translucent for easy line identification.
- Extreme hardness for high runs & repeat orders.
- Self Adhesive - no moistening necessary.
- Precise sticking to all usual patching sheets.
- No release from patching sheet.
- Four different widths.

Colour	Width x Thickness x Length	Rolls per pack
Blue	3mm x 30 micron x 35m	40
Blue	6mm x 30 micron x 35m	25
Red	3mm x 50 micron x 25m	40
Red	6mm x 50 micron x 25m	25
Yellow	3mm x 80 micron x 18m	40
Yellow	6mm x 80 micron x 18m	25

12mm and 20mm width are available on request



SUPER SHIM PLUS TAPE - is 8.0mm wide, using a 12mm finger-lift backing for easy and quick use. The adhesive system on this product is especially formulated for this application to our own specification, providing a long-term bond.

Super Shim Plus is made from hardened stainless steel, which will not compress and provides great durability.

Thickness Range

Super Shim Plus 0.03mm (30 microns)

Super Shim Plus 0.05mm (50 microns)

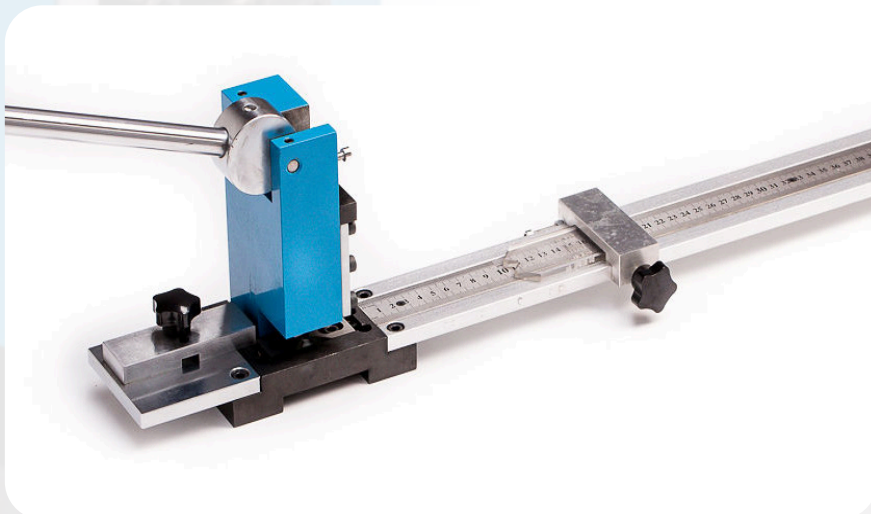
Super Shim Plus 0.10mm (100 microns)

Width 8mm 10 metre rolls



MATRIX HAND CUTTER -

Matrix hand pliers are specially designed for cutting and fitting of matrix strips

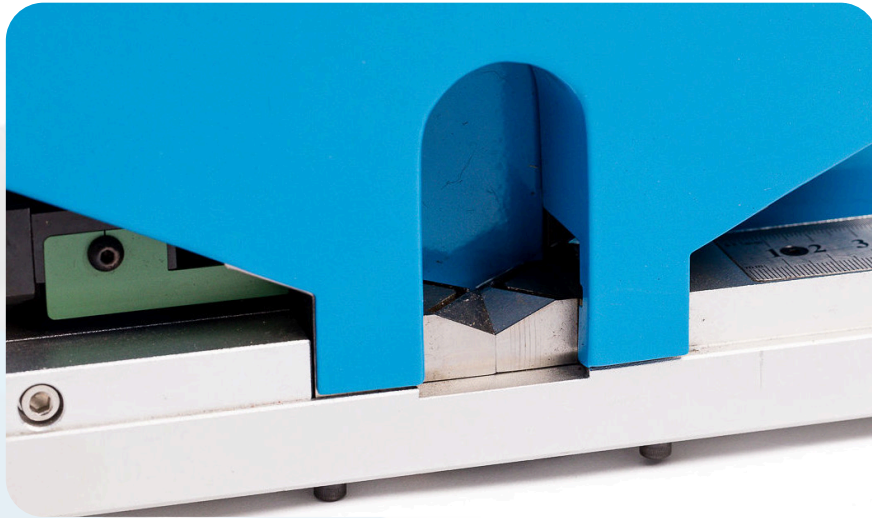


MATRIX BENCH CUTTER -

Machine size: 680 x 190 x 150mm

Net weight: 7.9kg

Gross weight: 12kg

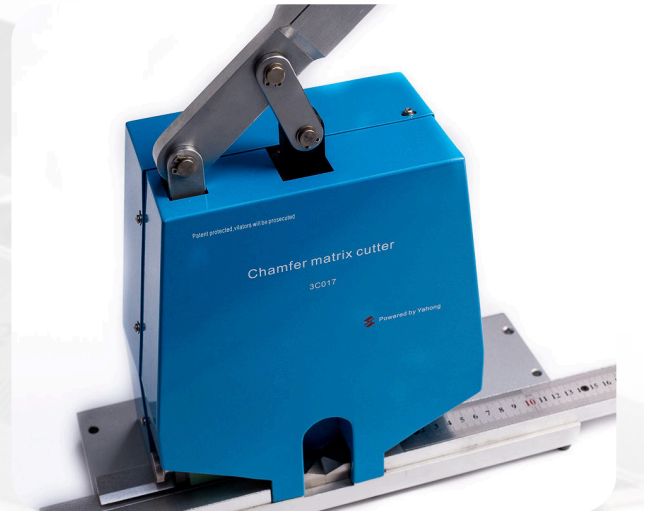
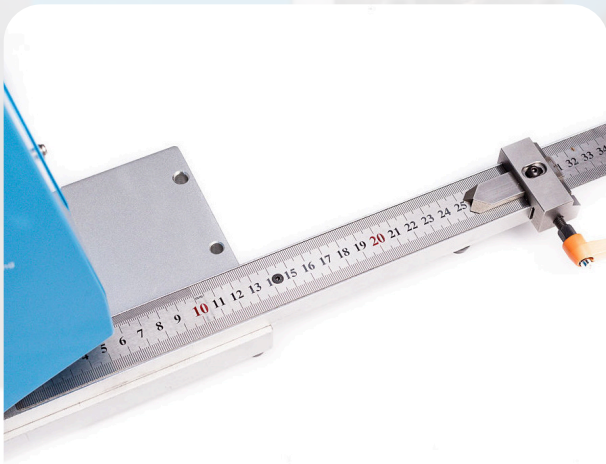


MATRIX CHAMFER CUTTER -

Machine size: 750 x 400 x 240mm

Net weight: 14kg

Gross weight: 20kg





SPEEDY-NICK -

The Speedy-Nick is a precision nicking tool used to accurately nick steel rule dies.

So affordable you can have multiple sizes at your fingertips, ready to go, or quickly change out the tip for different sizes as needed.

Gives optimum results on 2pt rule.

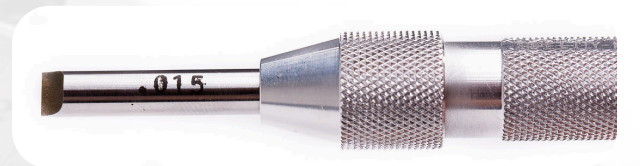
Sizes available

.015

.020

.025

.030





RULE PULLER -

Steel jaws provide long life

Changeable jaws

Plastic-like pegs protect rules on the dies

Fine-Tuneable pegs provide flexible operation



PUNCHES -

Round Punches

Available in 2mm ~ 24mm

Side Ejection Punches

Available 1mm ~ 12mm



HIDE MALLETS -

Manufactured from genuine Water-Buffalo hide tightly coiled, pressed three times under powerful hydraulic presses and seasoned for many months.

These carefully controlled processes ensure dependable hide mallets of uniform quality and maximum durability.

Three sizes available.

02-116 No. 4

Weight 340g

Head Diameter 50mm / 2in

Head Length 89mm / 3.1/2in

Wood handle

02-120 No. 5

Weight 570g

Head Diameter 63mm / 2.1/2in

Head Length 102mm / 4in

Wood handle

02-122 No. 6

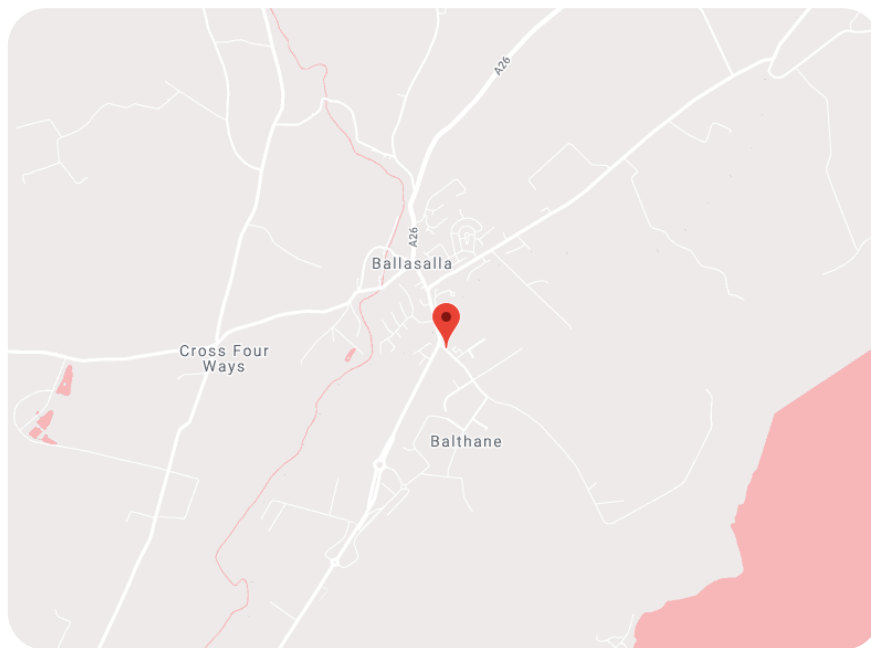
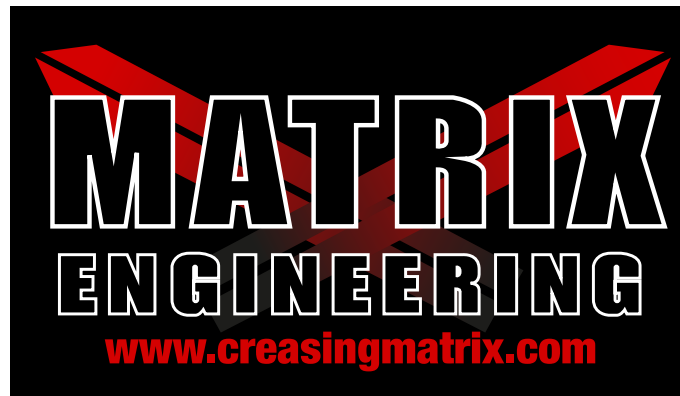
Weight 680g

Head Diameter 70mm / 2.3/4in

Head Length 114mm / 4.1/2in

Wood handle

All weights and dimensions are approximate and may be subject to change without notice.



Matrix Engineering Ltd

Unit 7a, Parkway, Balthane Ind Estate

Ballasalla, Isle of Man, British Isles, IM9 2AQ

www.creasingmatrix.com - sales@creasingmatrix.com

#beyondtheconventional

